

BNC support bracket installation

This instruction sheet provides instructions on how to install the BNC support bracket.

Affected products

The following products are affected:

- Christie Eclipse
- Christie M RGB Series
- Griffyn Series

Required tools and components

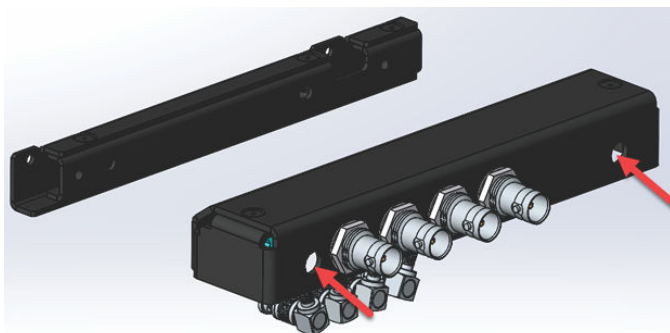
The following tools and components are required.

- BNC Support Bracket kit (P/N: 163-169107-XX)
- 2 mm, 2.5 mm, and 3 mm Allen keys

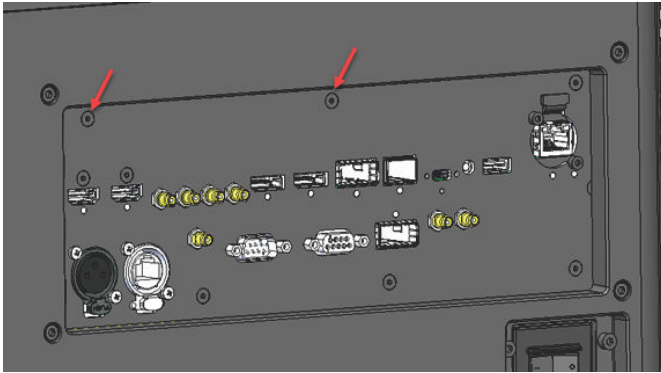
Installing the BNC support bracket

Follow these steps to install the BNC support bracket.

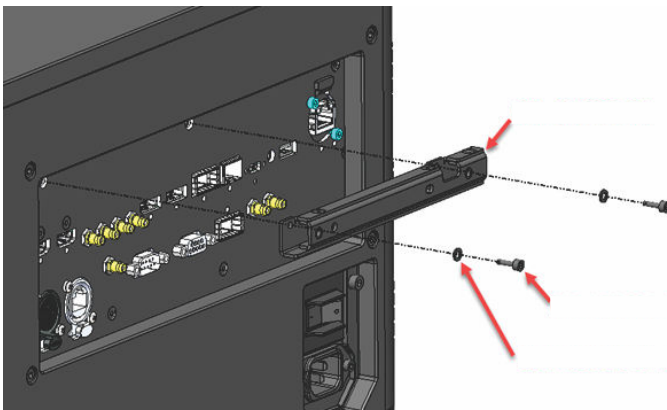
1. Remove the BNC support bracket module from the box.
2. Through the holes (shown in the image below), loosen the two screws.



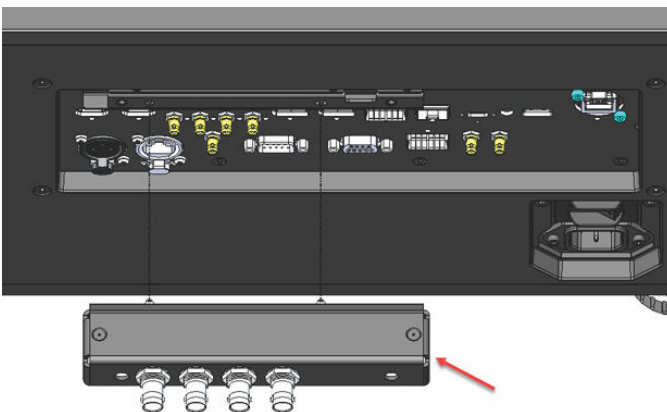
3. Separate the two brackets as shown in the image in step 2.
4. Using a 2 mm Allen key, remove the two screws (shown in the image below) from the card cage faceplate.



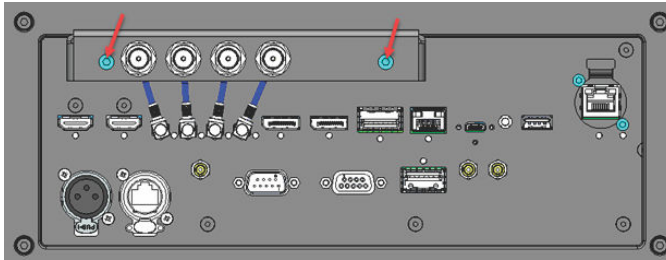
- Line up the BNC bracket adapter support (P/N: 011-110308-XX) to the card cage faceplate as shown in the image below.



- Secure the bracket using a 2.5 mm Allen key using two M3 screws and lockwashers (P/N: 012-100601-XX and 012-100516-XX).
Do not exceed torque of 12 lbf*in.
- Line up the BNC support bracket to the bracket adapter support using the pins (shown in the image below) to the locating hole and slot.

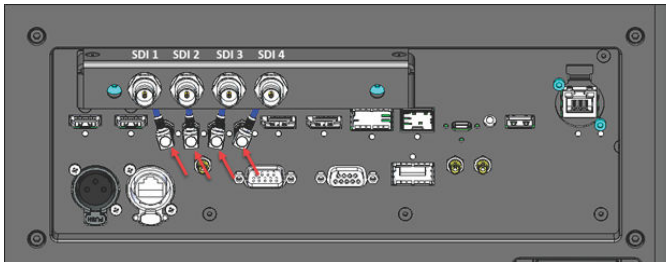


- Using a 3 mm Allen key, secure the two screws on the BNC support bracket.
Do not exceed torque of 15 lbf*in.



9. Line up the adapter connections (shown in the image below), making sure to follow the labels on the BNC support bracket module and line the corresponding cable adapters to the connectors with the same label on the card cage faceplate.

For example, SDI 1 -> SDI 1.



10. With a ¼-turn twist secure four of the Micro-BNC cable connectors to the faceplate connectors.

Technical support

Technical support for Christie Enterprise products is available at:

- North and South America: +1-800-221-8025 or Support.Americas@christiedigital.com
- Europe, Middle East, and Africa: +44 (0) 1189 778111 or Support.EMEA@christiedigital.com
- Asia Pacific (support.apac@christiedigital.com):
 - Australia: +61 (0)7 3624 4888 or tech-Australia@christiedigital.com
 - China: +86 10 6561 0240 or tech-supportChina@christiedigital.com
 - India: +91 (80) 6708 9999 or tech-India@christiedigital.com
 - Japan: 81-3-3599-7481
 - Singapore: +65 6877-8737 or tech-Singapore@christiedigital.com
 - South Korea: +82 2 702 1601 or tech-Korea@christiedigital.com
- Christie Professional Services: +1-800-550-3061 or NOC@christiedigital.com