

Installing the Dual LOS pedestal

These instructions provide steps to safely install a CP4440-RGB, CP4445-RGB, CP4450-RGB, or CP4455-RGB projector onto the pedestal. This pedestal is designed to safely hold the projectors at an adequate height for most projection rooms.

Affected products

The Christie Pedestal kit is only intended for use with the following Christie projector models:

- CP4440-RGB
- CP4445-RGB
- CP4450-RGB
- CP4455-RGB

Required tools

The following tools are required.

- #3 Phillips screwdriver
- 5 mm flathead screwdriver
- 2.5 mm hex driver
- 3 mm hex driver
- 4 mm hex driver
- 5 mm hex driver
- 24 mm wrench
- Tape measure
- Level

Prerequisites

The following components are required.

- Christie Pedestal kit (P/N: 163-126100-XX)

Safety precautions

Learn about the safety precautions related to the Dual LOS pedestal.



Warning! If not avoided, the following could result in death or serious injury.

- A minimum of four people or appropriately rated lift equipment is required to safely lift or move the pedestal or projector.
- INSTABILITY HAZARD! Only use the pedestal with equipment specified by Christie.
- Do not use the leveling feet of the pedestal to tilt or angle the final position of the projector. Use the leveling feet of the projector for this adjustment.
- Use the height of the pedestal leveling feet to compensate for balance problems.

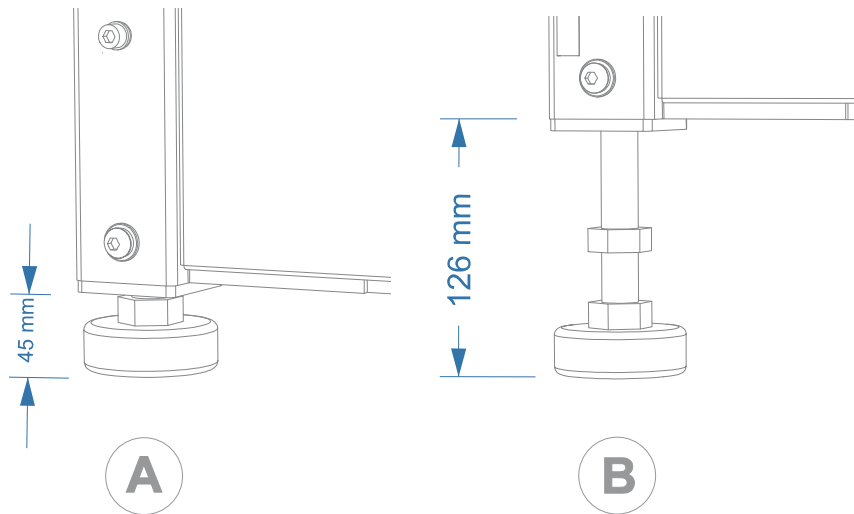
Unpacking the kit contents and attaching pedestal feet

Unpack the kit contents and use the following table verify its components are in the box.

Package accessories list

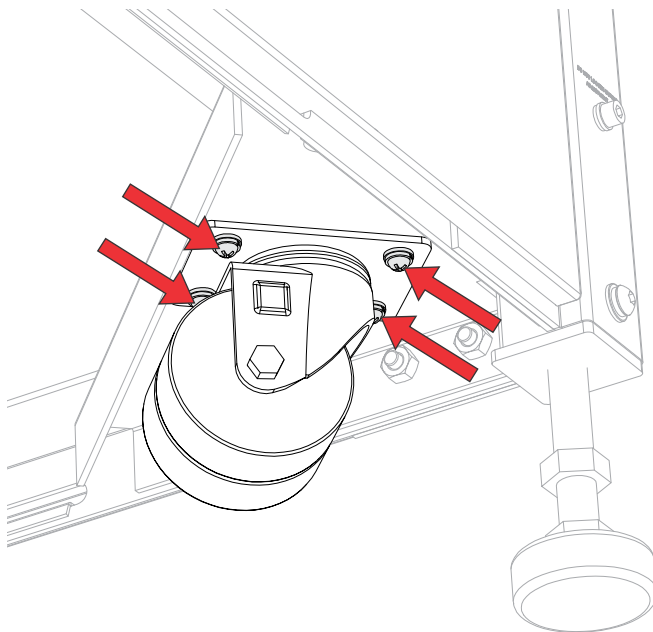
Part number	Description	Function	Quantity
011-109084-XX	Locking foot cover	Secure projector feet	4
011-109085-XX	Locking rear foot bracket	Secure projector feet	2
011-109086-XX	Locking front foot bracket	Secure projector feet	2
012-103212-XX	187 mm leveling foot	Pedestal foot	4
012-102142-XX	RM31 SKBT M5 12023 screw	Projector installation	20
N/A	Lock key	Opening the side, rear, and front panels	8
012-102143-XX	RM31 PHPN M8 20023 screw	Caster installation	16
012-102140-XX	RM01 PHPN M6 16023 screw	Rack unit installation	96
012-102653-XX	3.0" PA swivel caster	Pedestal casters	4
011-107530-XX	Bottom pedestal foot bracket	Secure pedestal feet	4

1. Use analysis tools (such as spreadsheets, theater dimensions, and so on) to determine the final position and orientation of the pedestal and projector.
2. Lay the pedestal on its top or side surface.



A	Minimum height
B	maximum height

3. Thread a leveling foot into each corner of the pedestal frame.
4. Install the four casters into each corner of the pedestal (4x M8 screws per caster).



5. Turn the pedestal upright and position the pedestal into the final position.
6. Adjust the leveling feet to the floor surface, so the top pedestal surface is level.
7. Tighten the pedestal leveling feet jam nuts.

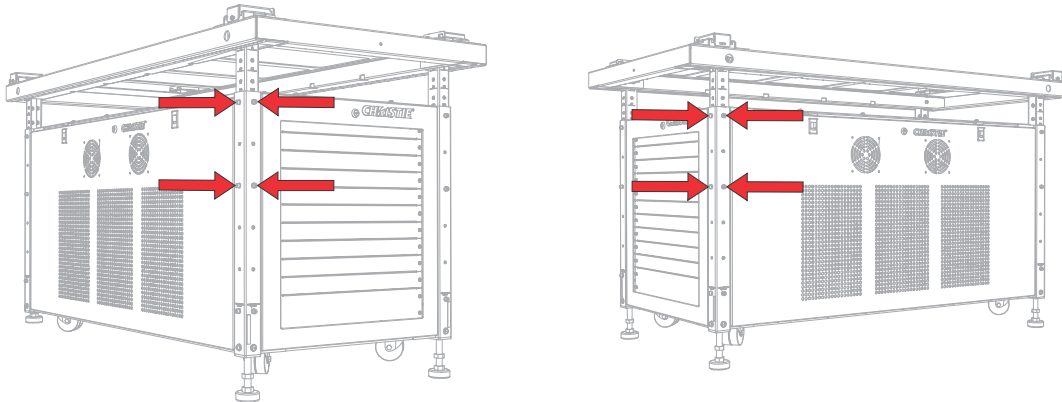
Setting the top platform height

The adjustable height range of the top platform is 50 to 450 mm in 50 mm increments. The maximum tilt angle is 15°.

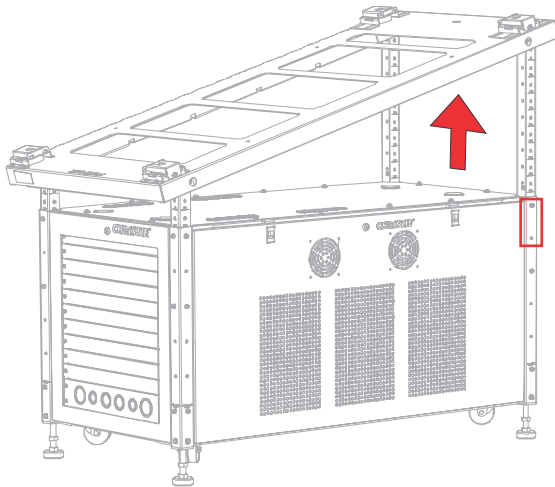
1. Remove the 16 screws (eight screws per side).
2. Adjust the top platform to the required height and tilt angle.
Refer to the *CP4440-RGB and CP4450-RGB Line Drawing (P/N: 020-103101-XX)* or the *CP4445-RGB and CP4455-RGB Line Drawing (P/N: 020-103762-XX)*.

3. Re-install the 16 screws.

The top and third holes (illustrated in the image below) are used for all leg extension positions except for the maximum height.



The top two holes (illustrated in the image below) are used for the maximum leg extension, which is required to achieve 15 degrees.



Installing the projector on the pedestal

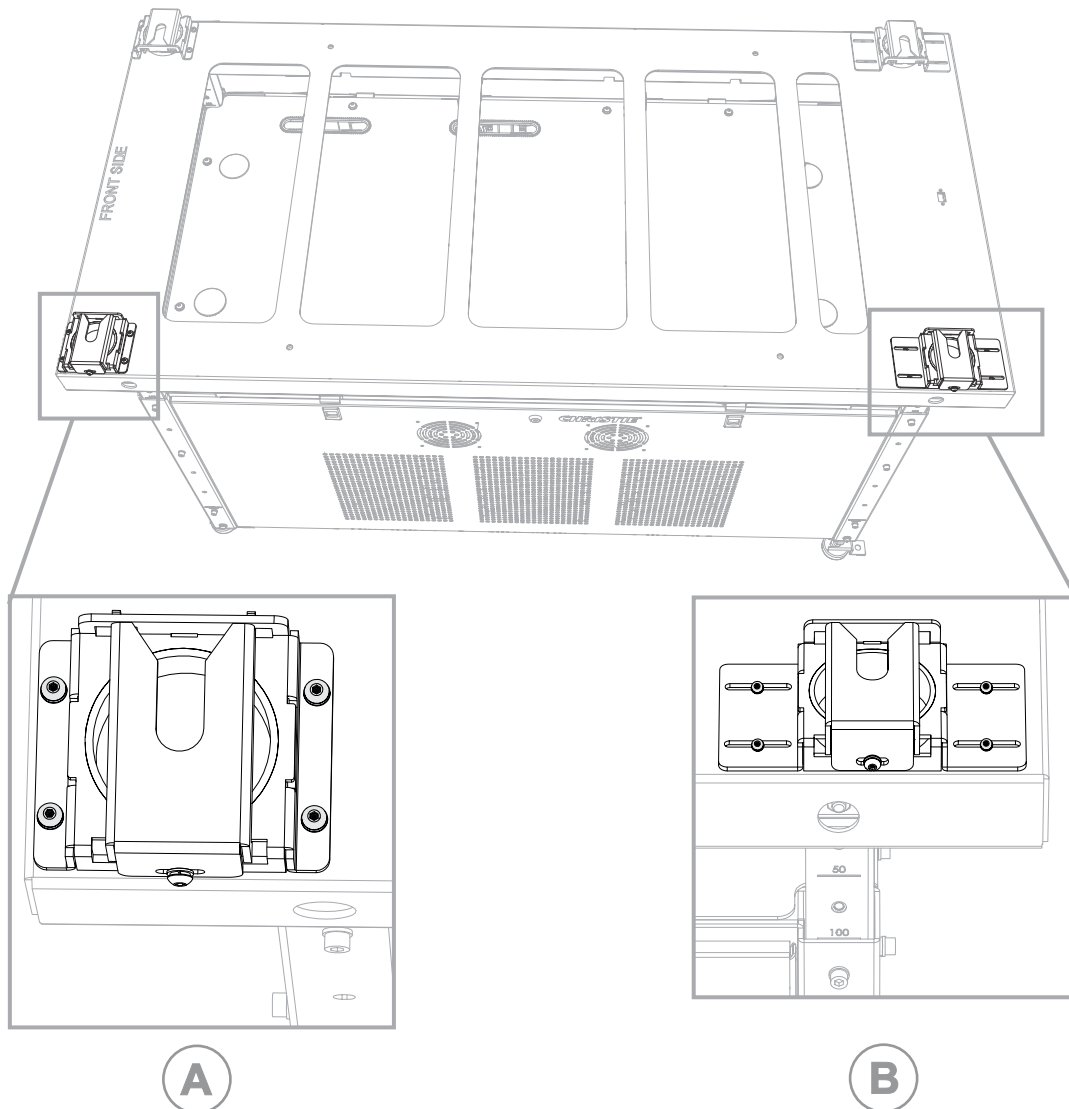
For personnel safety and for the protection of equipment make sure all components are correctly leveled and installed.



Warning! If not avoided, the following could result in death or serious injury.

- Do not use the leveling feet of the pedestal to tilt or angle the final position of the projector. Use the leveling feet of the projector for this adjustment.
- A minimum of four people or appropriately rated lift equipment is required to safely lift or move the pedestal or projector.

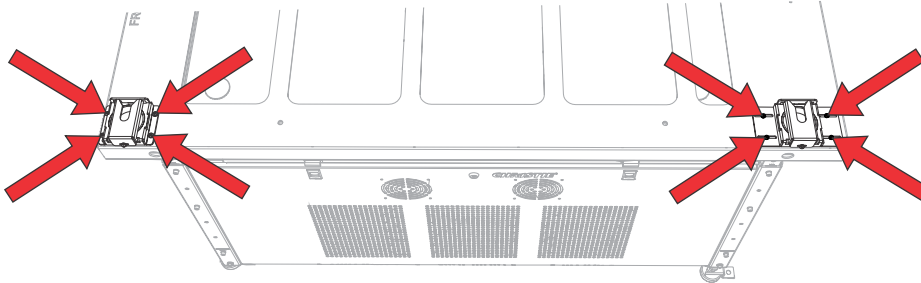
1. Use the leveling feet of the projector to level it, then tighten the four feet nuts.



- A Front foot lock bracket (1 of 2)
- B Rear foot lock bracket (1 of 2)

- Obtain the two front foot lock brackets, the two rear foot lock brackets, and the four bracket covers and install the foot brackets onto the top surface of the stand using the 16 M5 screws and washers.

The following image shows the screw locations on one of the front and one of the rear foot lock brackets. All four foot brackets must be installed.



- Fully secure the two front foot brackets and loosely secure the two rear foot brackets (they are tightened in step 7). They are tightened later in this procedure during projector adjustment.

- Using proper, safe lifting methods, carefully place the projector on top of the pedestal.



Make sure the four projector feet are placed into the holes in the four lock brackets.

- Adjust the height and tilt of the projector to suit the particular projection requirements.



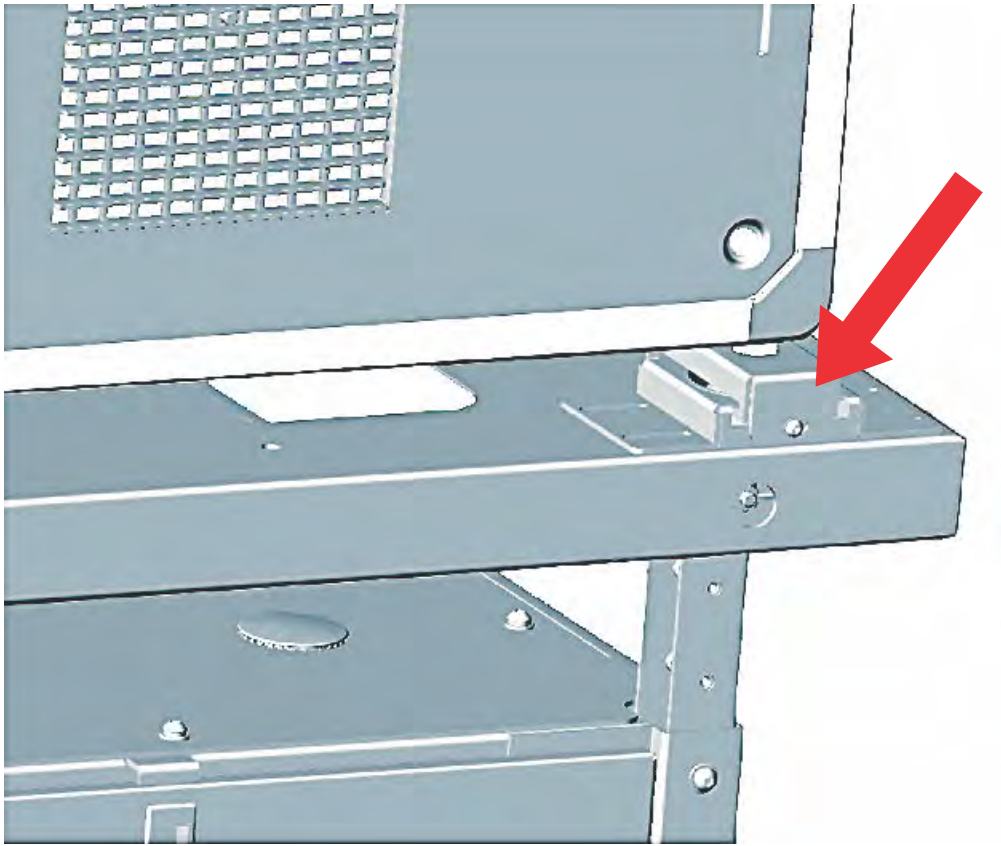
Warning! If not avoided, the following could result in death or serious injury.

- Use the height of the pedestal leveling feet to compensate for balance problems.



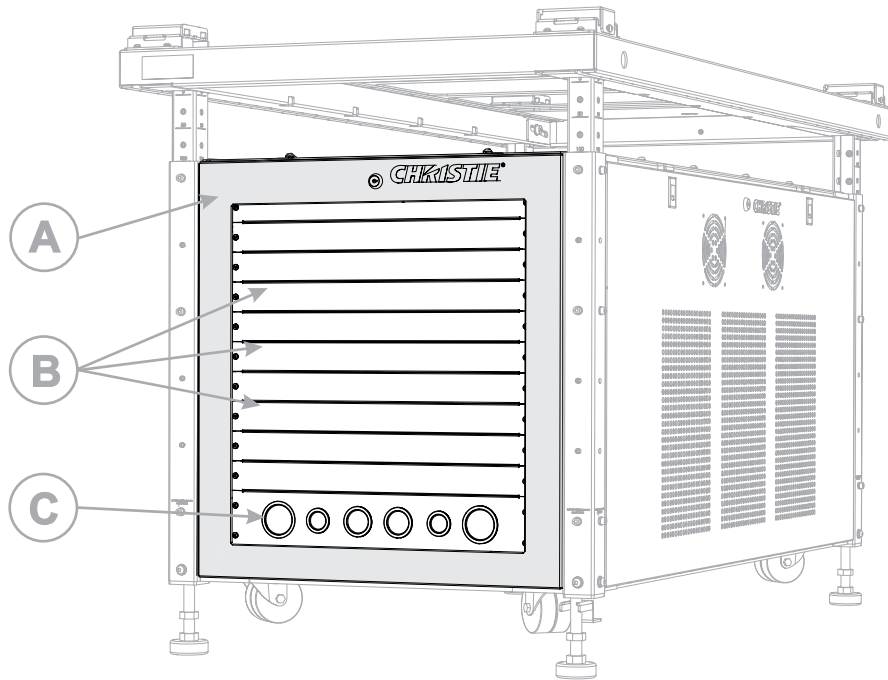
Make sure adequate space remains at the feet to install the bracket covers.

- Perform a final alignment (for height, tilt, and position on pedestal) of the projector.
- Tighten the four lock brackets (front foot and back) installed in Step 5.
- Install and lock the bracket covers onto the foot brackets with the four M5 screws.



Installing external devices

The front and back of the pedestal are designed as rack units to allow for the installation of any necessary external devices. The instructions below apply equally to either the front or back rack unit.



A Security ring

B Blanks (3 of 10)

C Rubber grommets

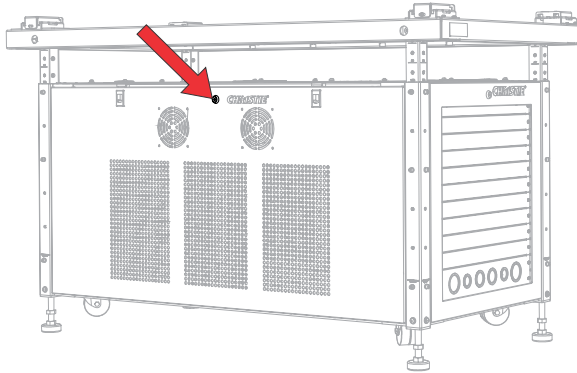
1. Remove the security ring (A in the image above) with the provided key.
2. Remove the blanks (B in the image above).
3. Install the required devices using the included M6 screws.
4. Replace and refasten the security ring.
5. Using the openings provided on the top of the pedestal, route any necessary cables from the external devices and the projector into the inner cavity of the pedestal.
6. Route the same cabling from the pedestal through a conduit or through the rubber grommets (C in the image above) located at the bottom front of the stand.

Configuring the pedestal for side-rack mounting (optional)

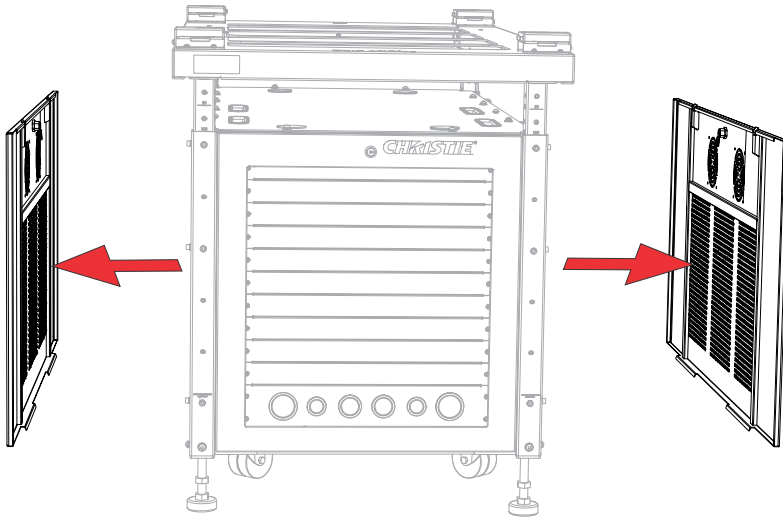
Optionally, the pedestal can be configured for side-rack equipment mounting.

This procedure addresses projector preparation for side mounting only; for component mounting instructions, refer to the component OEM instructions directly.

1. Unlock the side panels using the provided key.

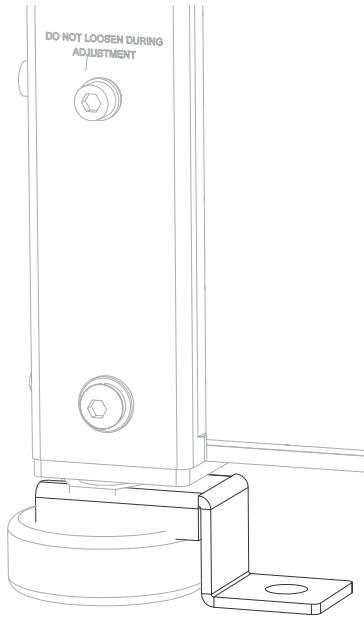


2. Remove both side panels as shown.



Securing the rack stand to the floor

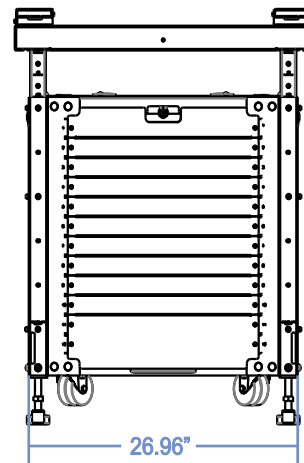
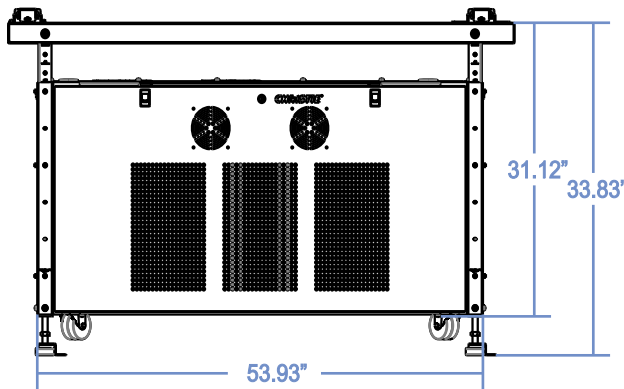
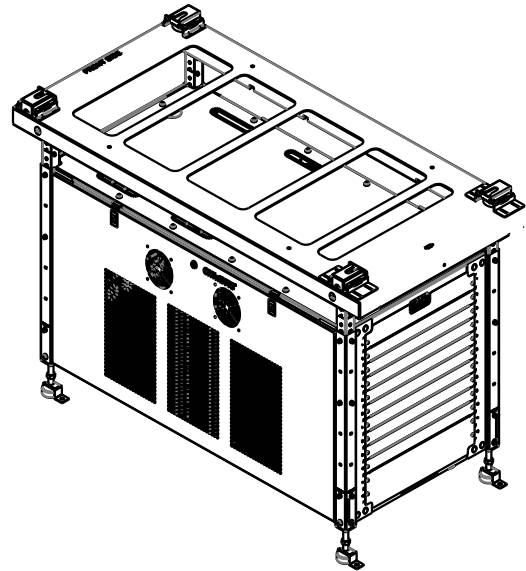
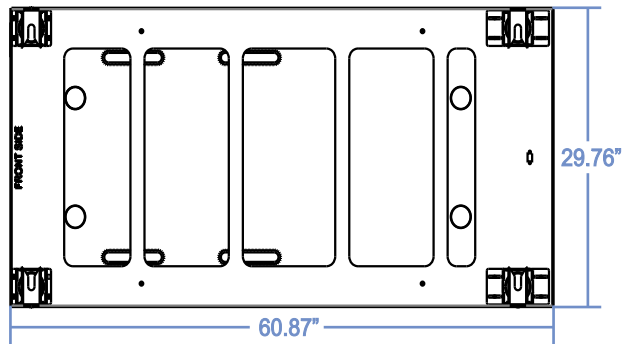
Once projector installation on the pedestal is complete, the rack stand assembly must be secured to the building structure using the four foot lock brackets provided in the kit.



1. Place a foot lock bracket over each leveling foot.
2. Secure each bracket to the floor.

Pedestal dimensions

Use the CP4440-RGB and CP4450-RGB Line Drawing (P/N: 020-103101-XX) or the CP4445-RGB and CP4455-RGB Line Drawing (P/N: 020-103762-XX) to plan the installation location of the pedestal.



Technical support

Technical support for Christie Cinema products is available at:

- Support.cinema@christiedigital.com
- +1-877-334-4267
- Christie Professional Services: +1-800-550-3061 or NOC@christiedigital.com