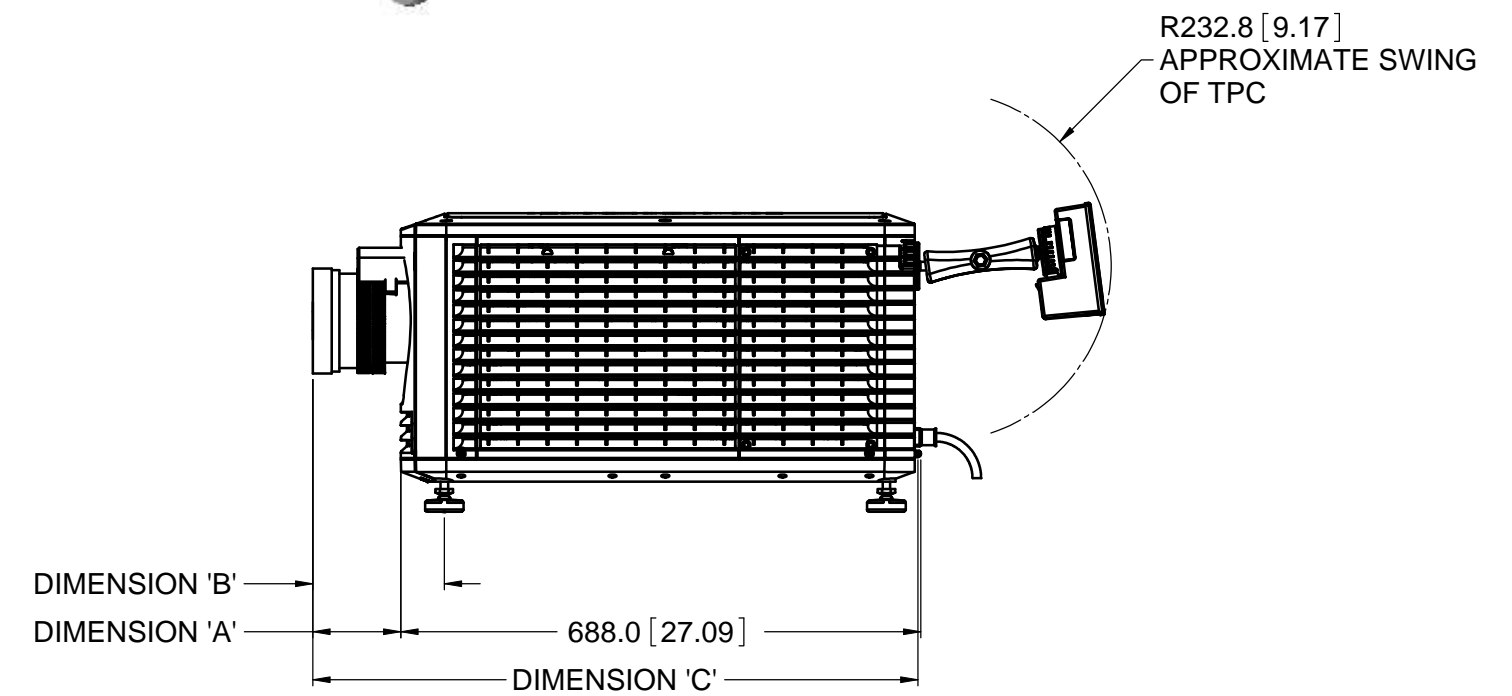
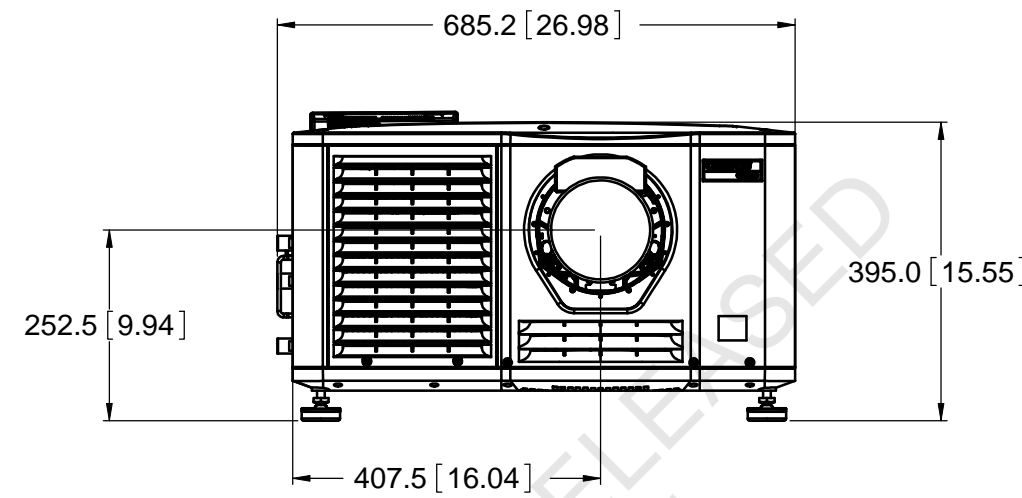
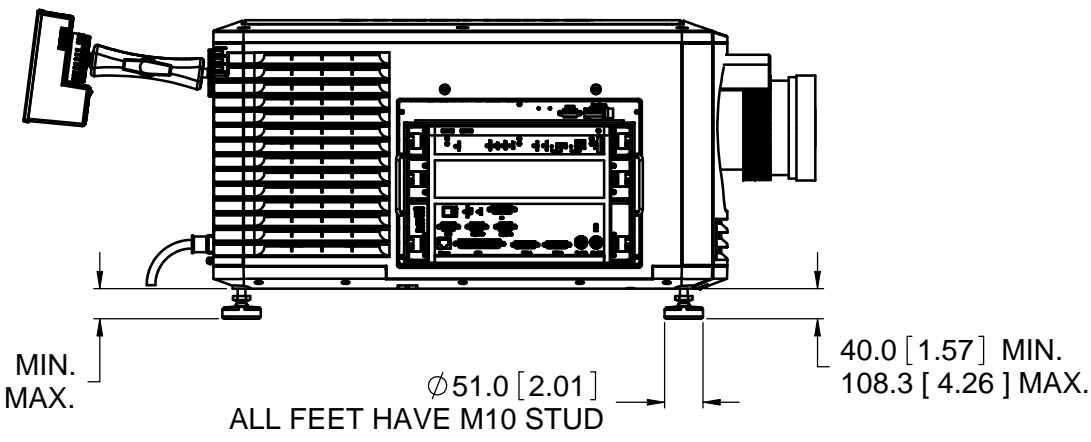
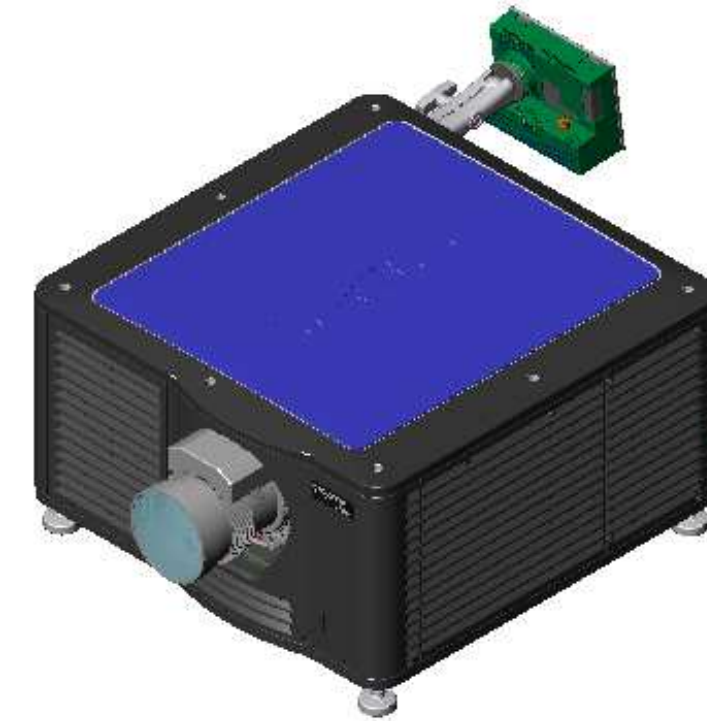
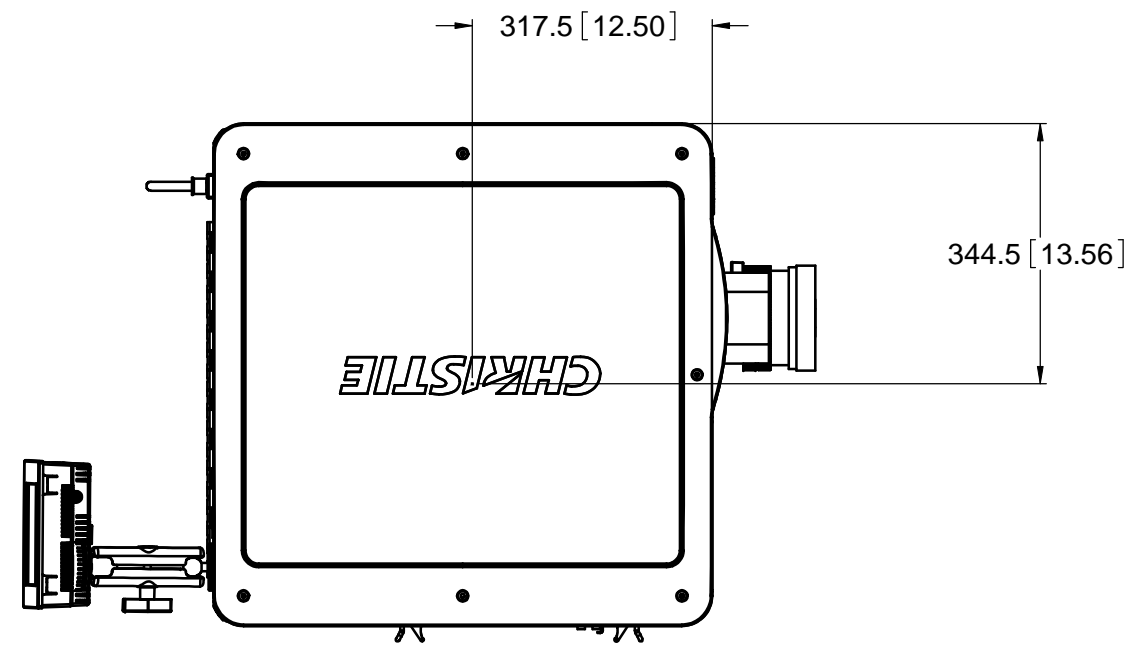
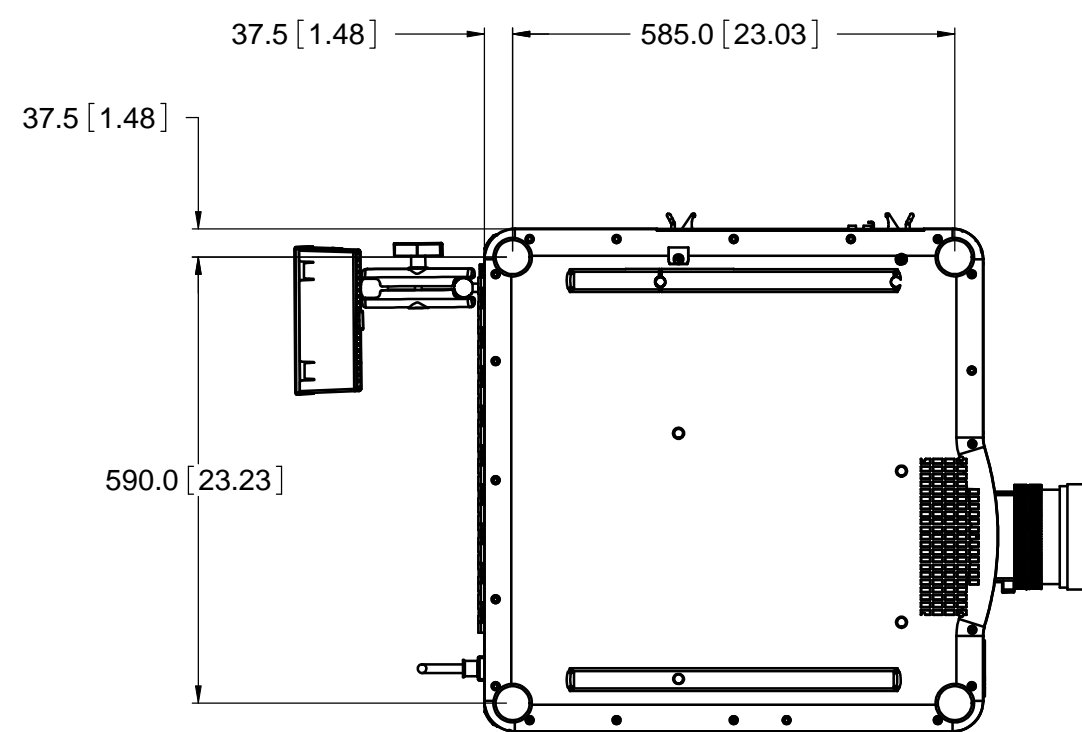


REVISION HISTORY OF: 020-100538-01				
REV	ECO NUMBER	DESCRIPTION OF CHANGE	BY	REV DATE
01		INITIAL RELEASE	JT	2/5/2010



LENS	DIMENSION 'A'	DIMENSION 'B'	DIMENSION 'C'
1.3-1.75	181.8 [7.16]	239.0 [9.41]	869.5 [34.24]
1.39-1.9	224.3 [8.83]	281.5 [11.08]	912.0 [35.91]
1.5-2.2	250.6 [9.87]	307.8 [12.12]	938.3 [36.95]
1.75-2.4	146.6 [5.77]	203.8 [8.02]	834.3 [32.85]
1.9-3.0	141.2 [5.56]	198.4 [7.81]	828.9 [32.63]
2.4-3.9	132.4 [5.21]	189.6 [7.46]	820.1 [32.29]
3.9-6.52	116.6 [4.59]	173.8 [6.84]	804.3 [31.66]
1.05 (FIXED)	256.2 [10.09]	313.4 [12.34]	943.9 [37.17]



OFFICIALLY RELEASED  
Document Control  
Feb 16, 2010

**GENERAL NOTES:**

MASS: 43 kg (95 lbs) NO LENS

AMBIENT AIR TEMPERATURE: 35°C (95°F) MAX.  
EXHAUST REQUIREMENTS (WHEN USING OPTIONAL SIDE DUCT):  
450 cfm @ 25°C (77°F) - 35°C (95°F)  
300 cfm 10°C (50°F) - @ 25°C (77°F)

ALTITUDE: 0-3000m (10000ft)

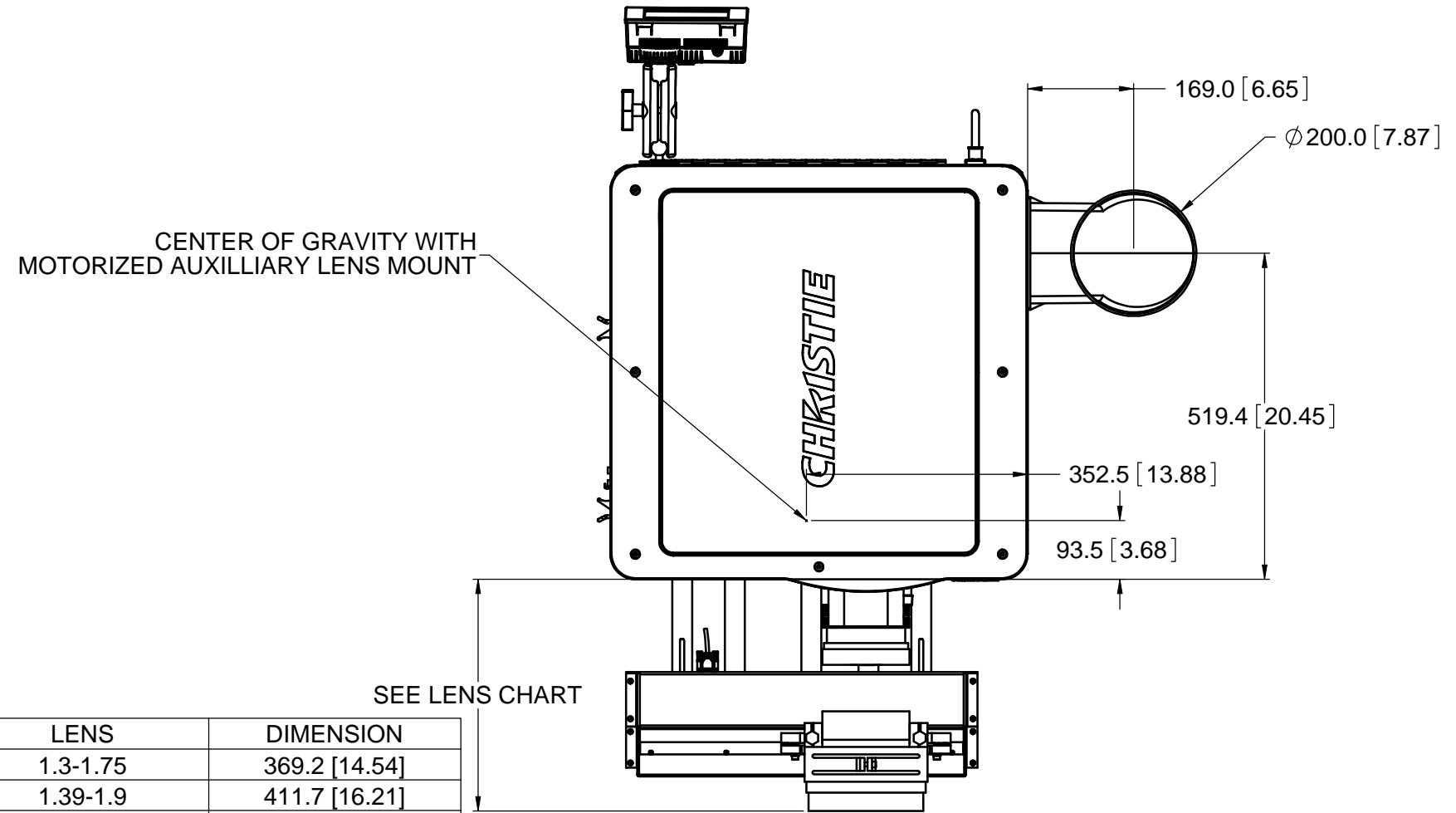
POWER REQUIREMENTS: SINGLE PHASE 200-240V 20 AMP BREAKER  
SINGLE PHASE 200-240V 15 AMP BREAKER (UPS)

POWER CONSUMPTION: 3.2 kW

ROOM HEAT LOAD (WITH EXTRACTOR): 2190 btu  
ROOM HEAT LOAD (WITHOUT EXTRACTOR): 9895 btu  
LAMP EXHAUST HEAT LOAD: 7705 btu

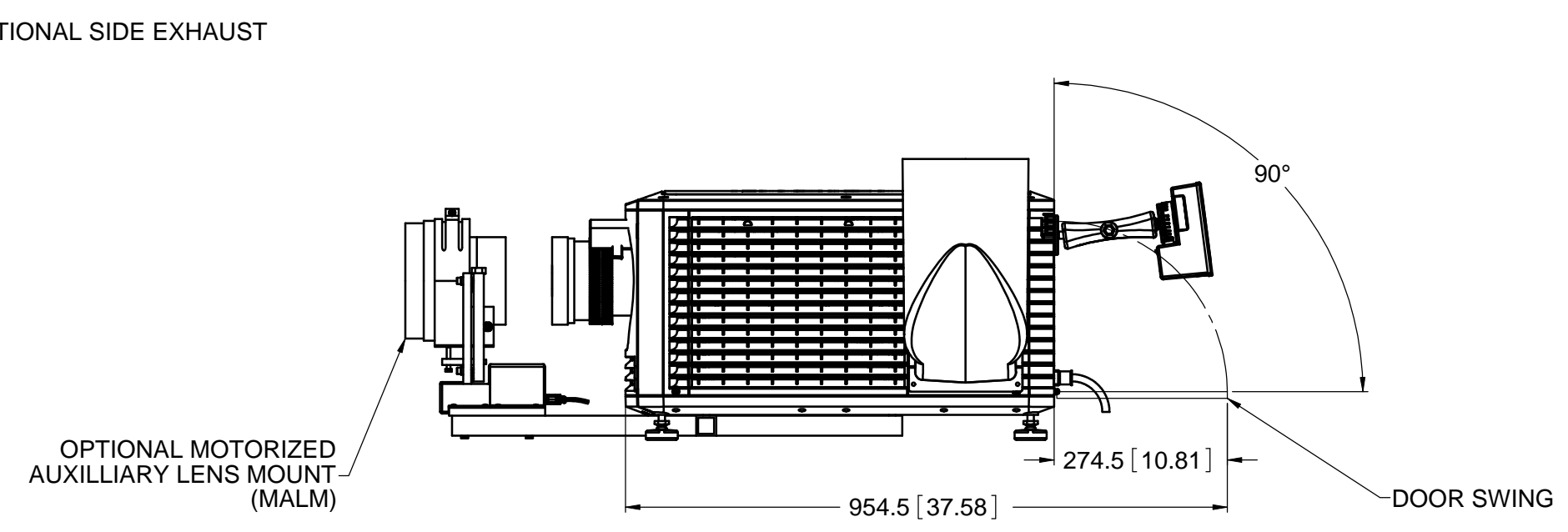
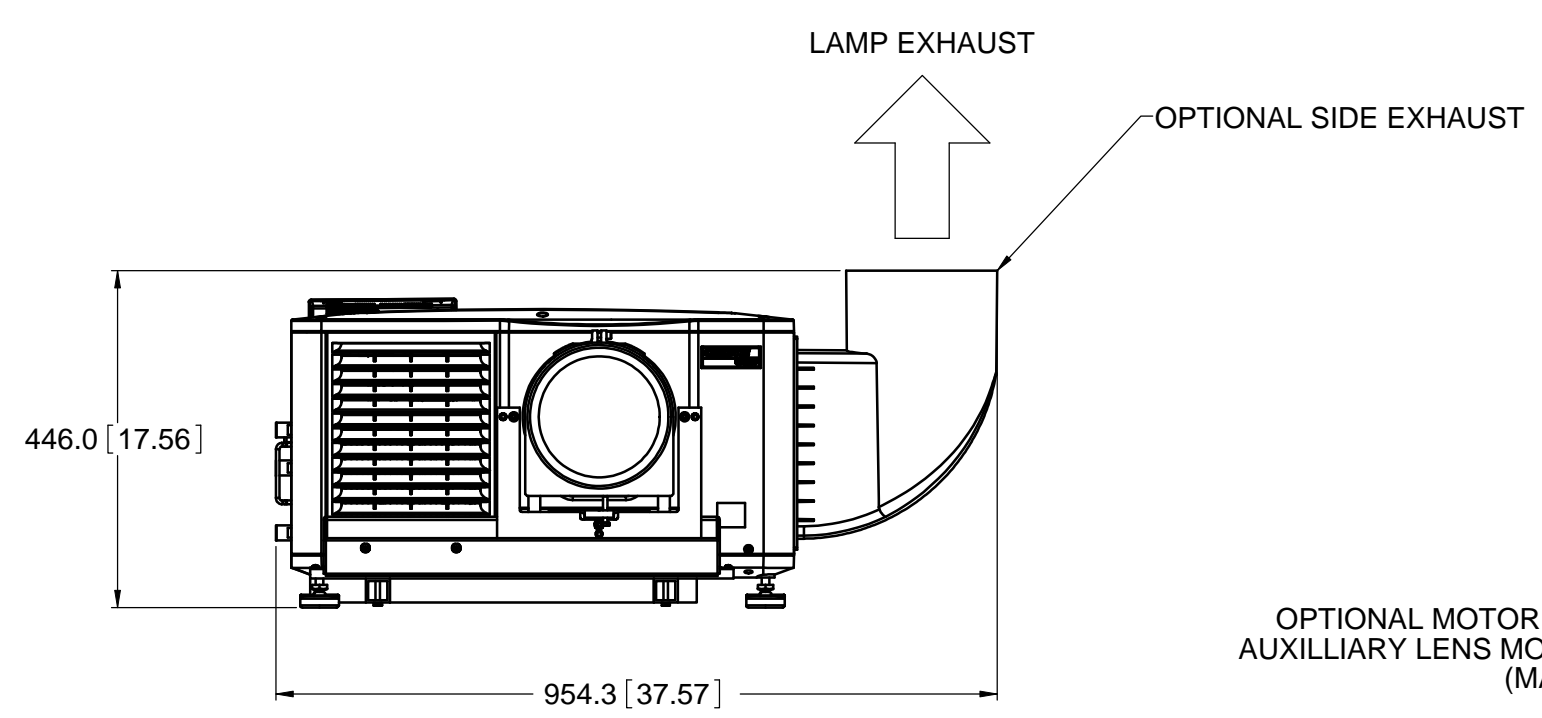
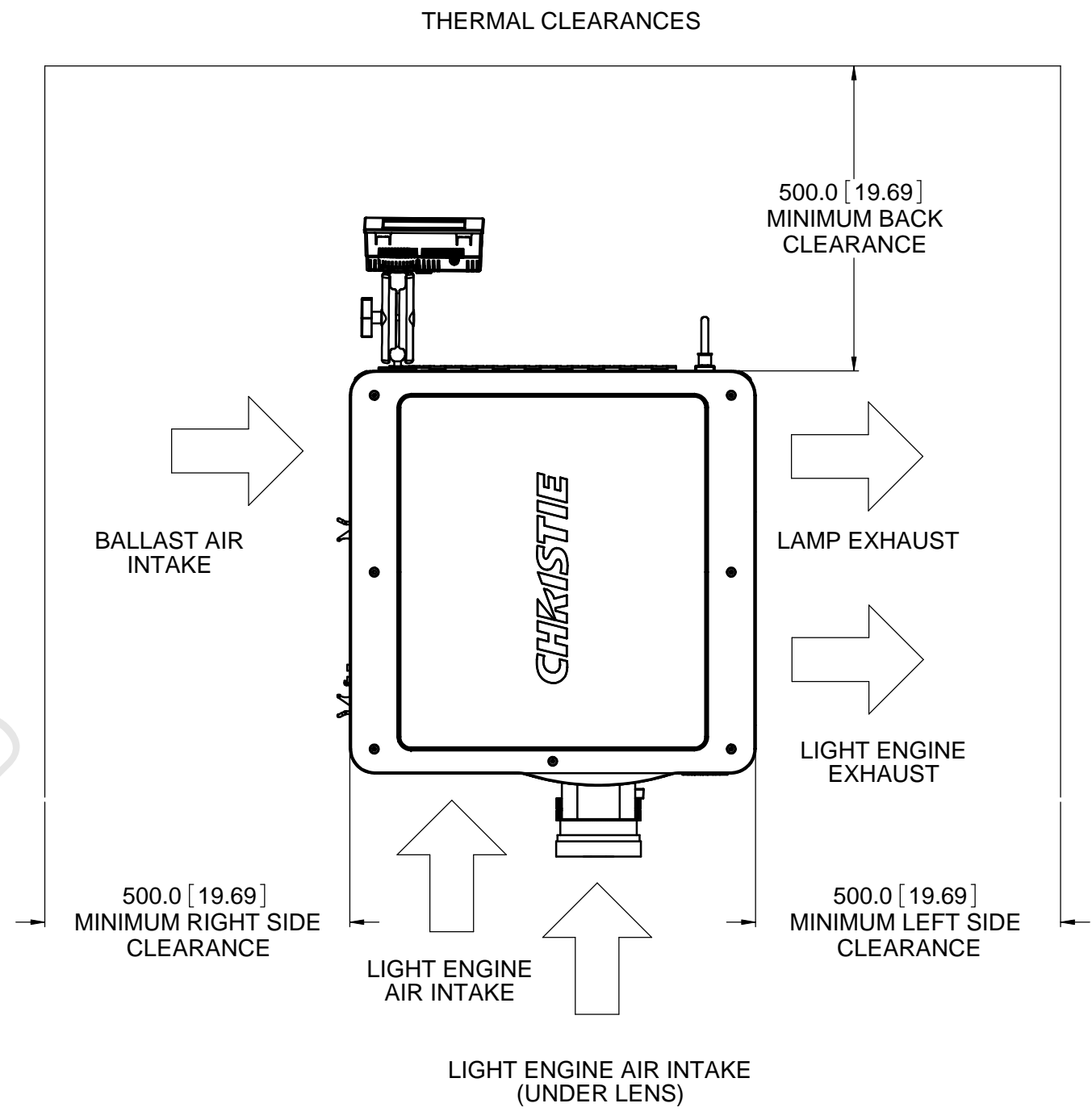
TILT ANGLE: 15° MAX. BACK TO FRONT (REAR FEET ADJUSTMENT)

UNITS: INCHES / MILLIMETRES	CAD MAINTAINED DATA CHANGES SHALL BE INCORPORATED ELECTRONICALLY	<b>CHRISTIE</b> CHRISTIE DIGITAL SYSTEMS USA, INC. CHRISTIE DIGITAL SYSTEMS CANADA, INC.
UNLESS OTHERWISE SPECIFIED INTERPRET DIMENSIONS AND TOLERANCES PER ASME Y14.5M-1994	DATE: 01/15/2010	
TOLERANCES APPLY AS SHOWN BELOW	PROPRIETARY	<b>DWG LINE CP2210</b>
DECIMAL PLACES: .XXX ± 0.03, .XX ± 0.13, .X ± 0.50	NOT TO BE DISCLOSED OR REPRODUCED IN ANY MANNER WITHOUT THE EXPRESS WRITTEN PERMISSION OF CHRISTIE	
ANGULAR DIMENSIONS: 30° ± 0.5°, 45° ± 0.5°, 90° ± 0.5°	THIRD ANGLE PROJECTION	<b>020-100538-01 01</b>
SCALE: 1:5 MASS: 93.83 LBS (42.56 KG)		SHEET 1 OF 2



SEE LENS CHART

LENS	DIMENSION
1.3-1.75	369.2 [14.54]
1.39-1.9	411.7 [16.21]
1.5-2.2	438.0 [17.24]
1.75-2.4	334.0 [13.15]
1.9-3.0	328.6 [12.94]
2.4-3.9	319.8 [12.59]
1.05 (FIXED)	N/A
3.9-6.52	N/A



OFFICIALLY RELEASED  
Document Control  
Feb 16, 2010